

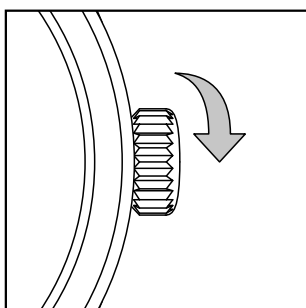
ROMAIN VOLLET

INDIE SWISS TIMEPIECES

USER GUIDE

CROWN POSITIONS

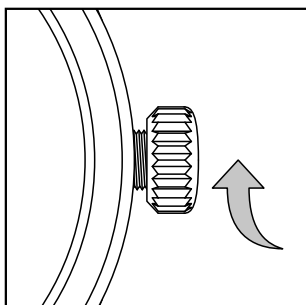
1. Screw-down crown
2. Manual winding
3. Time setting



1.

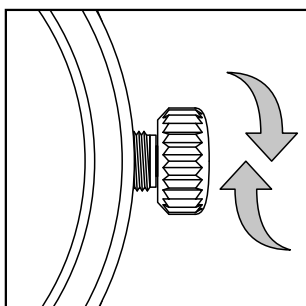
Your ROMAIN VOLLET Motor Skull watch is fitted with a screw-down crown. Before winding or adjusting the watch, it is therefore necessary to unscrew the crown by turning it anti-clockwise. The crown will then be released by a spring.

After adjusting settings, press the crown and gently turn it clockwise, and then screw it carefully down to maintain your watch's water-resistance.



2.

If your watch has stopped, turn the crown about 20 times to rewind the movement manually. Afterwards, the natural movements of your wrist will be enough to ensure your watch remains fully wound.



3.

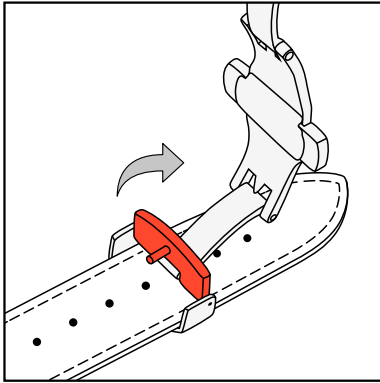
To set the time, pull the crown out to position 3 and turn it forwards or backwards until the hands indicate the exact time.

After setting the time, always return the crown to position 2 to restart the hands, and then screw the crown down carefully to maintain your watch's water-resistance.

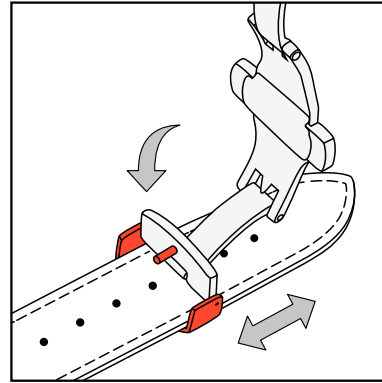
None of the following operations must be performed in water.

DEPLOYMENT BUCKLE

ADJUSTING THE CLASP

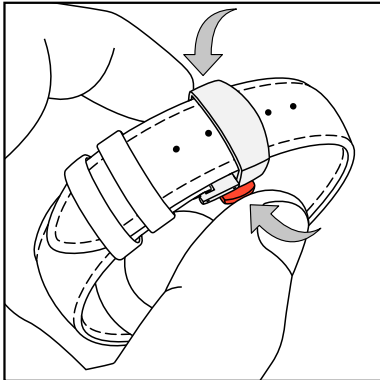


1. Release the adjusting mechanism by removing the pin from the hole in the long section of the strap.

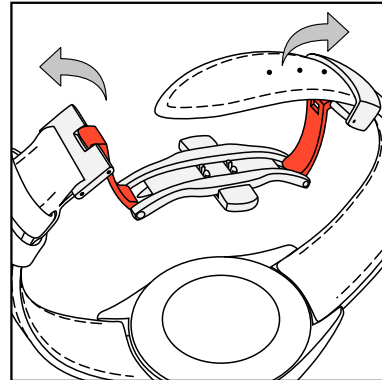


2. Slide the mechanism along this section and then fix it by reinserting the pin in the desired hole.

OPENING THE CLASP

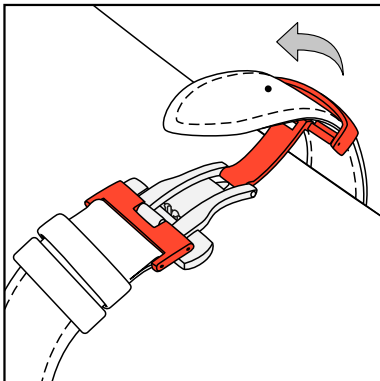


3. To open the clasp press in the push-pieces on either side simultaneously.

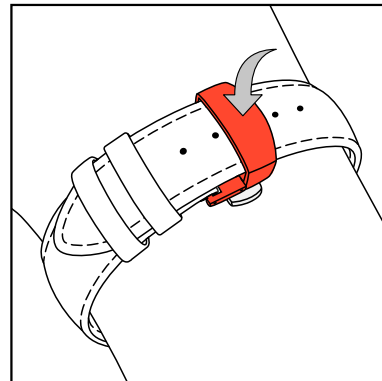


4. Open the clasp to enlarge the bracelet and remove the watch from your wrist.

CLOSING THE CLASP



5. Put the bracelet on your wrist and slide the long section through the small fixed buckle.



6. Close the folding clasp until it clicks into place. If necessary, slide the long section through the small mobile buckle.